



**SPIERINGS
KRANEN**

Mark: **SPIERINGS** Type: **SK488-AT4**

Crane identification

Serial number:

Year of construction: _____

Crane group : 3 as per NEN 2018
 Loadspectrum : 2 as per NEN 2018
 Classification : A as per NEN 2018
 Stability : as per NEN 2022

Identifacation-
number

93 tm

Max. load

8,0 tonne

Max. radius
with max. load

12,76 m

Max. capacity

102 tm

Max. jib lenght

40m

Speeds

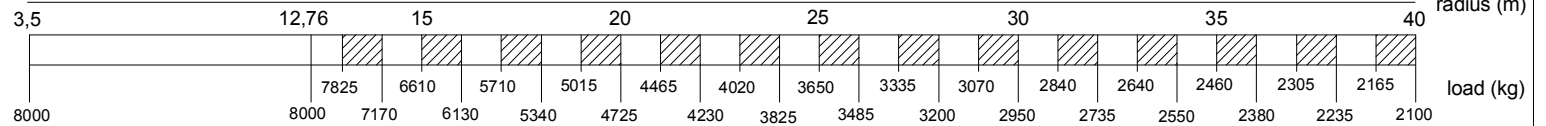
Jib horizontal / jib 30° luffed

	m/min	kg
	18	8000
	27	4000
	40	2000
	75	0
	0 - 70 m/min	
	0-0,9 rpm	

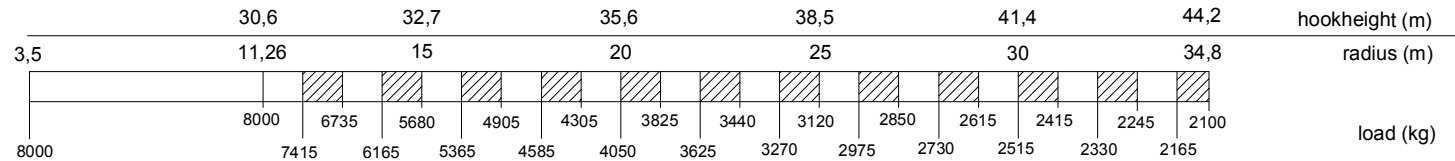
LIFTING CHART Outrigger spread 6,90 m x 6,70 m

Jib horizontal

Hookheight 25 m (height under jib 26,8 m)



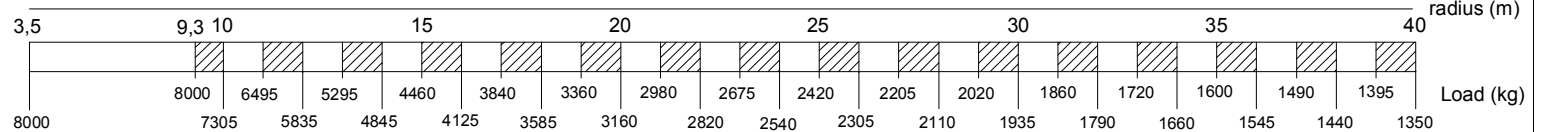
Jib 30° luffed



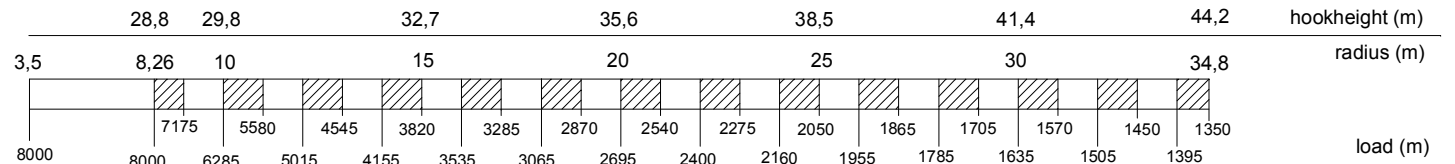
LIFTING CHART Outrigger spread 6,90 m x 5,15 m

Jib horizontal

haakhoogte 25 m (hoogte onder de giek 26,8m)



Jib 30° luffed



All motions with hydraulic proportinal controls

Luffing the jib 30° can be controlled from crane cab or via remote control

Driving with erected tower and jib, only with the jib horizontal and positioned over the front carriage, platform locked to the carrier and the outriggers fully extended (max. inclination 2°)

Rated lifting capacity is net capacity

Crane equipped with full counterweight: 9300 kg

360° continuous slewing, with outriggers out and down

2 Outriggers positons: 6,90 x 6,70 m
6,90 x 5,15 m

Operation allowed up to a windforce of 7 on the Beaufortscale. (wind speed 17 m/sec.)

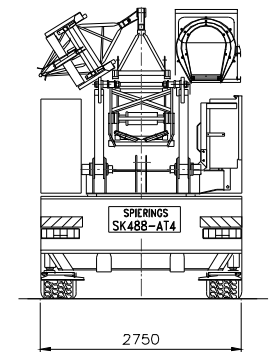
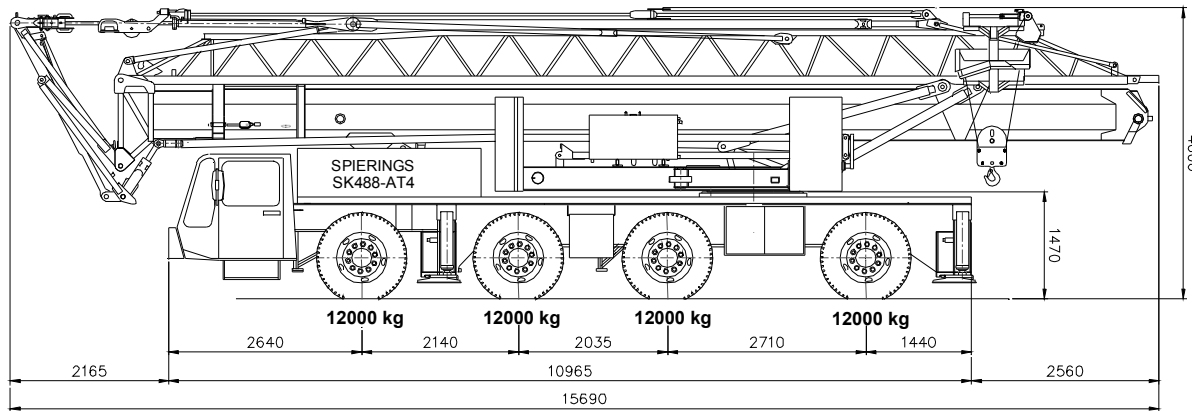
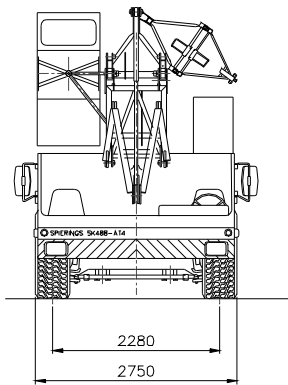
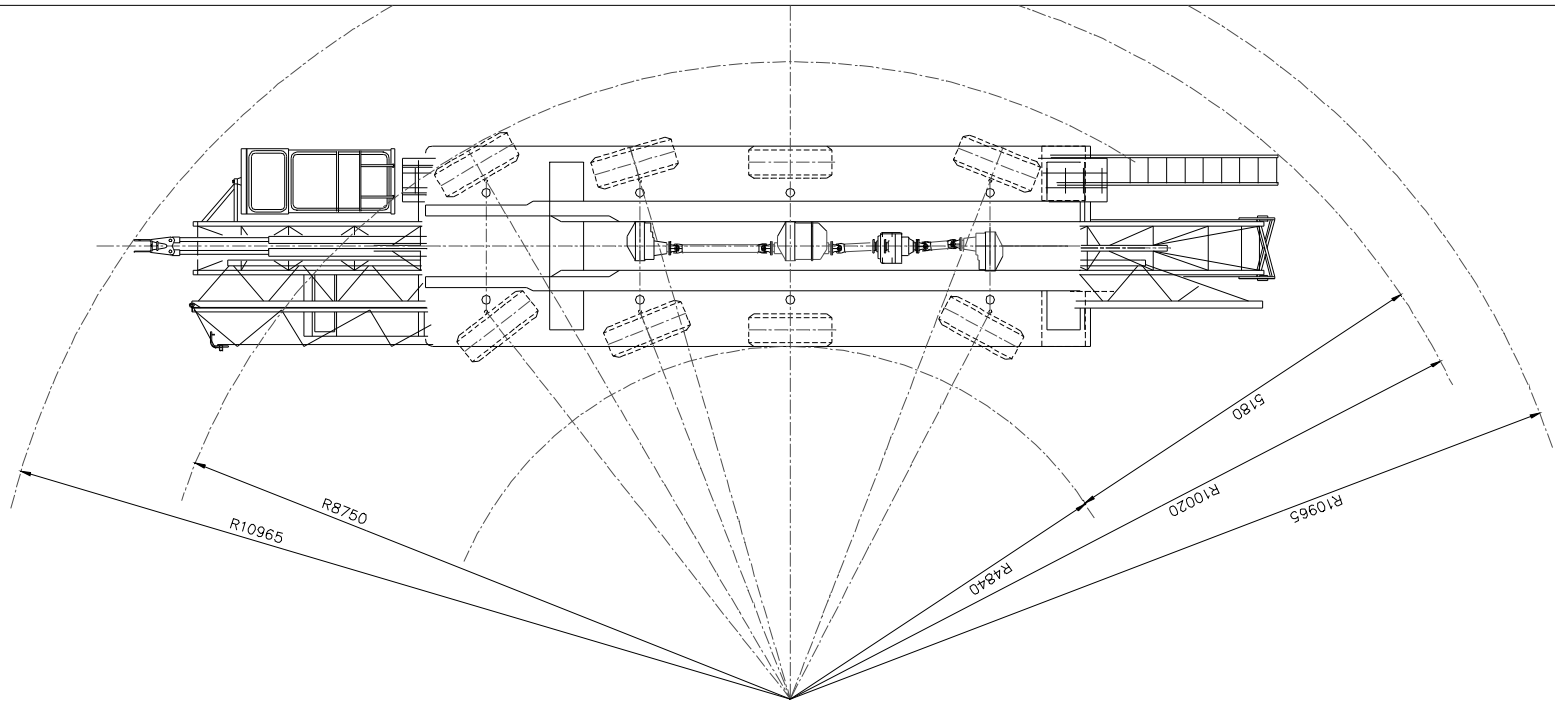
Sail area of the load max. 1,0 m²/ tonne at a windforce of 7 on the Beaufortscale.

Operating temperature range from -15° to 40° C.

In all cases 2 parts of line

Max. line pull force 4000 kg

The crane should be folded in at a windforce >9 (21m/sec) or when not in use for a longer period



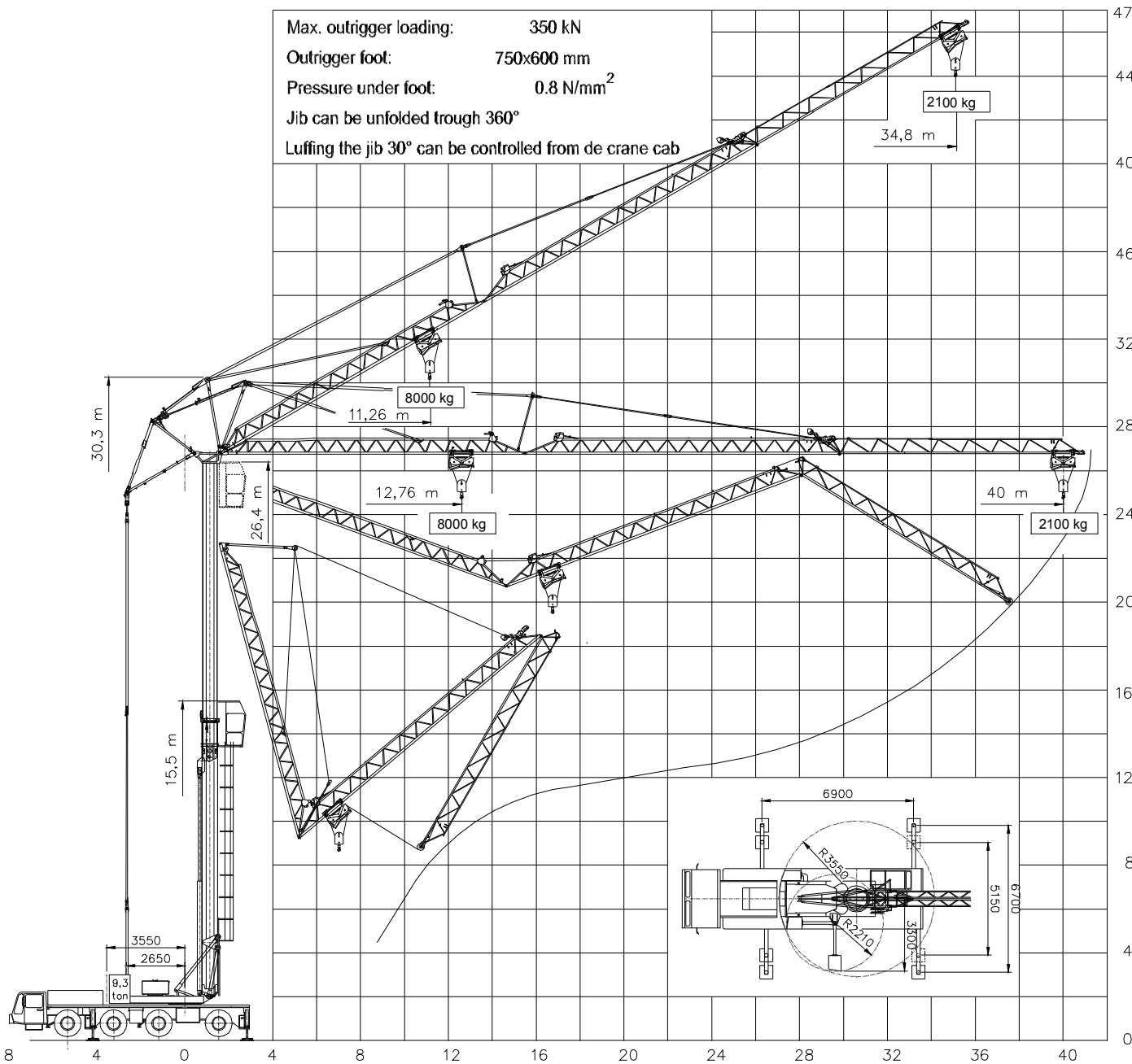
SPIERINGS HYDRAULIC FOLDING CRANE

SK 488 - AT4

Total weight: 4800 kg


SPIERINGS
KRANEN bv
 Merwedestraat 15
 5347 KZ Oss NL
 Tel. 0412-626964
 Fax 0412-645299

Max. outrigger loading: 350 kN
 Outrigger foot: 750x600 mm
 Pressure under foot: 0.8 N/mm²
 Jib can be unfolded trough 360°
 Luffing the jib 30° can be controlled from de crane cab



SPIERINGS

HYDRAULIC FOLDING CRANE

SK 488 - AT4



Merwedestraat 15
 5347 KZ Oss NL
 Tel. (31) 412 626964
 Fax (31) 412 645299